

REVISIONS				
ZONE	REV.	DESCRIPTION	DATE	APPROVED
		ORIGINAL RELEASE JOB#	309166PE	10/20/03

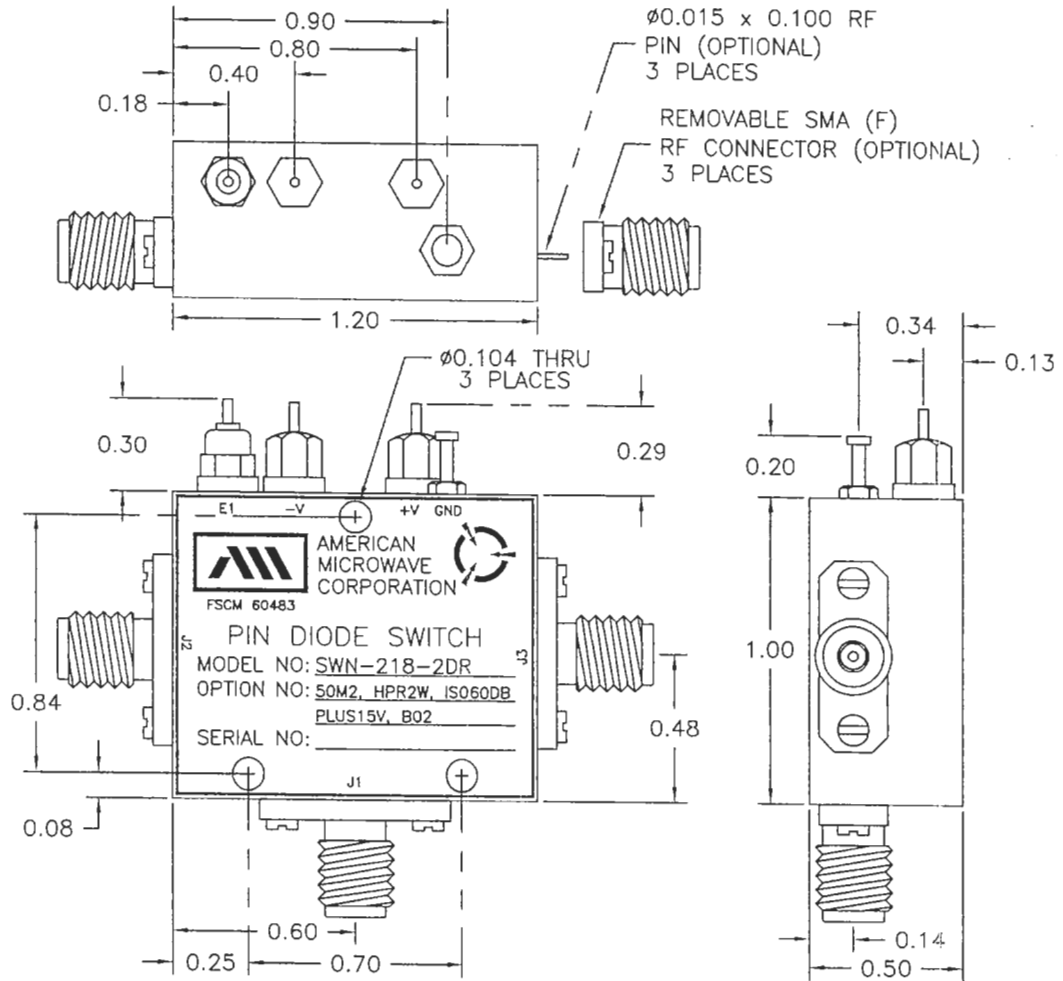
**DESCRIPTION:**

AMC MODEL SWN-218-2DR OPTION: 50M2, HPR2W, ISO60DB, PLUS15V, B02 IS A SINGLE POLE TWO THROW, REFLECTIVE SWITCH MODULE WITH VERY LOW INSERTION LOSS, HIGH ISOLATION AND WITH INTEGRAL TTL DRIVER, DESIGNED FOR BROAD BAND OPERATIONS AND HIGH POWER CAPABILITES.

**MECHANICAL OUTLINE**

**SPECIFICATIONS:**

- FREQUENCY: ..... 0.05 GHz TO 2.0 GHz
- INSERTION LOSS: ... 2.0 dB MAXIMUM  
1.5 dB TYPICAL
- ISOLATION: ..... 60 dB MINIMUM  
70 dB TYPICAL
- VSWR: ..... IN/OUT: 1.5:1
- SPEED: ..... RISE: 10ns MAXIMUM  
FALL: 10ns MAXIMUM  
DELAY ON: 10ns TYPICAL, 20ns MAXIMUM  
DELAY OFF: 10ns TYPICAL, 20ns MAXIMUM
- POWER INPUT: ..... 0.5 WATTS AVERAGE POWER MAXIMUM WITH 20% DUTY CYCLE  
2 WATTS PEAK POWER
- CONTROL: ..... TTL LOGIC "0"= J1-J2 ON "1"= J1-J3 ON
- POWER SUPPLY: ..... +15V @ 100 mA MAXIMUM  
-15V @ 75mA MAXIMUM
- CONNECTORS:  
RF: ..... SMA FEMALE  
CONTROL: ..... SOLDER PIN
- SIZE: ..... 1.20" (L) x 1.00" (W) x 0.50" (H)
- WEIGHT: ..... 1.5 OUNCE TYPICAL



**ENVIRONMENTAL RATINGS:**

- TEMPERATURE: ..... -55°C TO +85°C (OPERATING)  
-65°C TO +125°C (STORAGE)
- HUMIDITY: ..... MIL-STD-202F, METHOD 103B COND. B
- SHOCK: ..... MIL-STD-202F, METHOD 213B COND. B
- VIBRATION: ..... MIL-STD-202F, METHOD 204D COND. B
- ALTITUDE: ..... MIL-STD-202F, METHOD 105C COND. B
- TEMPERATURE CYCLE: ..... MIL-STD-202F, METHOD 107D COND. A

ALL DIMENSIONS ARE IN INCHES  
TOLERANCES:  
X.XX ±0.020  
X.XXX ±0.010

APPROVALS		DATE	AMERICAN MICROWAVE CORPORATION FREDERICK, MARYLAND	
DRAWN	<i>KAB</i>	10/20/03	TITLE PRODUCT FEATURE SWN-218-2DR OPTION 50M2, HPR2W, ISO60DB, PLUS15V, B02 0.05 TO 2 GHz SINGLE POLE TWO THROW SWITCH	
REDRAWN	<i>GDJ</i>	8/17/04	SIZE	DWG NO.
ISSUED	<i>LA</i>	8/31/04	A	60483
			100-4427-95	
			SCALE	SHEET
			N/S	1 of 3

NOTE: SPECIFICATIONS WILL VARY OVER OPERATING TEMPERATURE  
NOTE: THE ABOVE SPECIFICATIONS ARE SUBJECT TO CHANGE OR REVISION